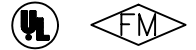
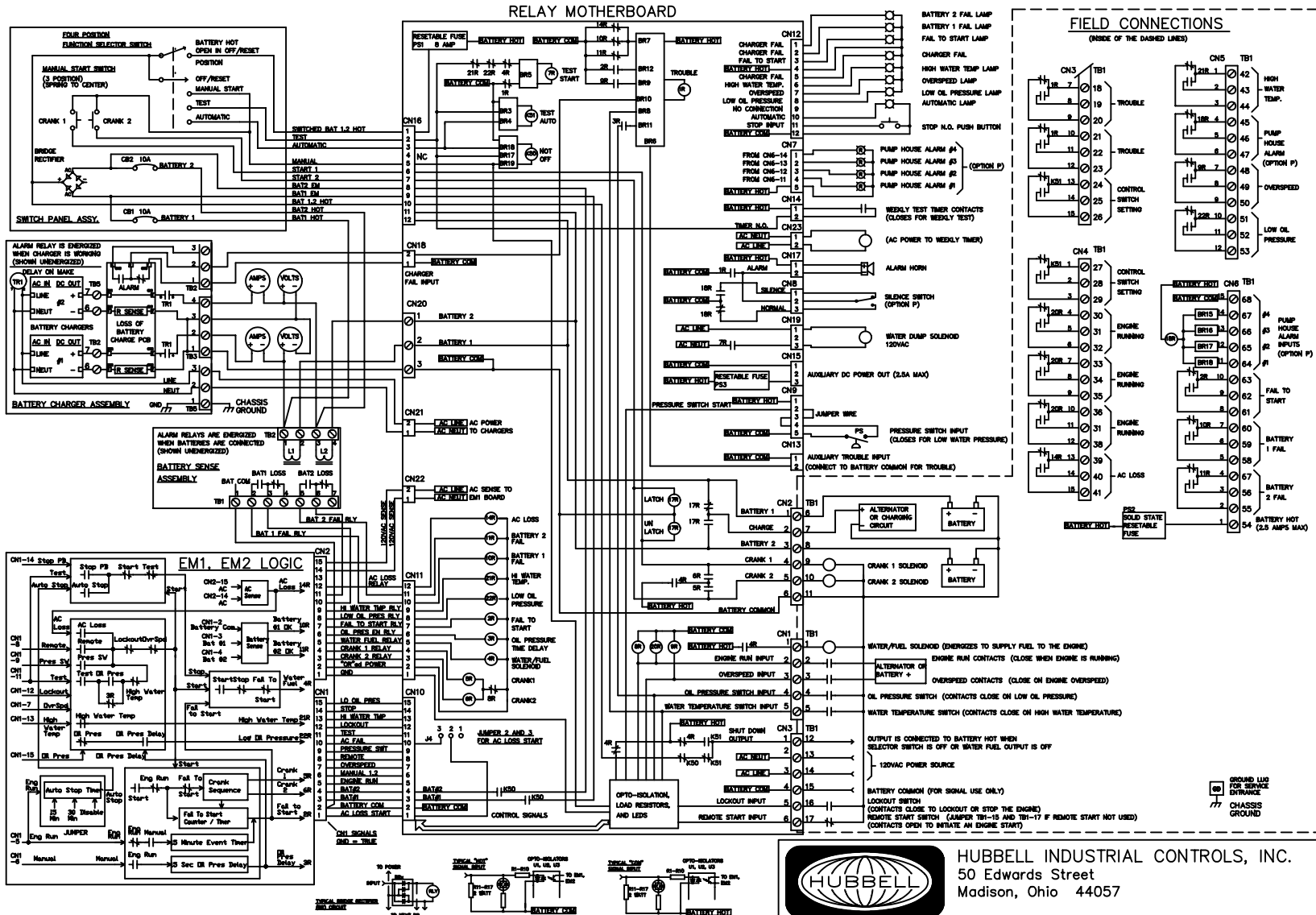


# Schematic Diagram Diesel Engine Driven Fire Pump Controller, Standard for Clark, Murphy, Cummins, *LX-2000* and Caterpillar Diesel Engines



HUBBELL INDUSTRIAL CONTROLS, INC.  
50 Edwards Street  
Madison, Ohio 44057

DATE: 2/10/2002  
REV. E  
DRAWING NUMBER: PC-20AT-0011